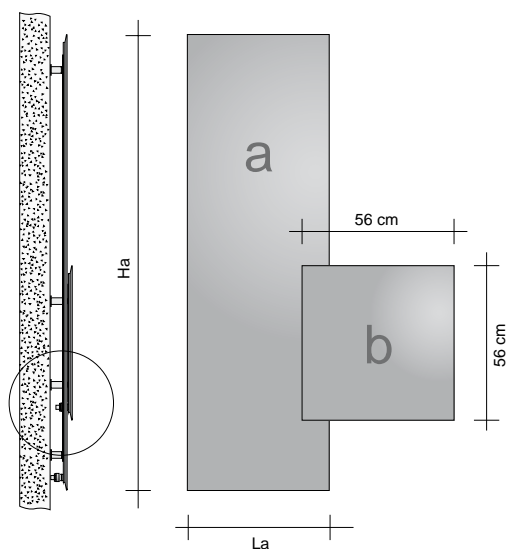


**ORDER EXAMPLE** To correctly order this model follow the example specified below:

**PRODUCT** [SQC01#IDR200056 9010 R12](#)  
 SQC01#IDR200056 Article code found in the prices table here below  
 9010 Colour code to be checked in the Tubes Colour Chart  
 R12 Connection code that defines the type of union for copper pipes or multi-layer pipes found herein at page 276

**ACCESSORIES**  
 Cod. GVR One way Remote Valve Assembly, CHROME finish  
 Cod. GVRC#\* One way Remote Valve Assembly, COLOUR finish\*  
 \* Specify the color code, e.g.: 9010, after checking the Tubes Colour Chart



Code	H (cm)	L (cm)	Watts ΔT 50°C	Watts ΔT 30°C	Price A and B white (€)	Price A coloured B white (€)	Price A white B coloured (€)	Price A and B coloured (€)
<b>SQC01#200056056056</b>								
a SQV2#IDR200056	200,0	56,0	1352	744				
b SQV2#IDR056056	56,0	56,0						
<b>SQC01#200046056056</b>								
a SQV2#IDR200046	200,0	46,0	1092	601				
b SQV2#IDR056056	56,0	56,0						
<b>SQC01#180056056056</b>								
a SQV2#IDR180056	180,0	56,0	1249	687				
b SQV2#IDR056056	56,0	56,0						
<b>SQC01#180046056056</b>								
a SQV2#IDR180046	180,0	46,0	1015	558				
b SQV2#IDR056056	56,0	56,0						
<b>SQC01#160056056056</b>								
a SQV2#IDR160056	160,0	56,0	1148	631				
b SQV2#IDR056056	56,0	56,0						
<b>SQC01#160046056056</b>								
a SQV2#IDR160046	160,0	46,0	939	516				
b SQV2#IDR056056	56,0	56,0						

**REMOTE VALVE ASSEMBLY**

Valve and Lockshield assembly for remote connection (GVR), can be installed up to a maximum distance of 6 metres from the radiator.

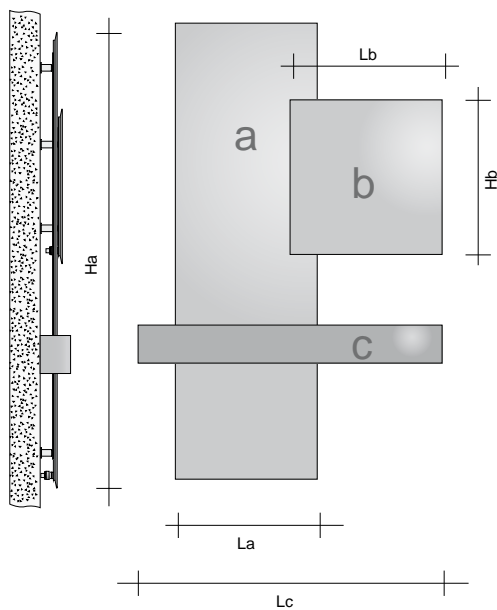
Connection of Remote Valve Assembly (GVR) to water system

Code	Description	Finishes	Price (€)
GVR#	RECESSED valve and lockshield assembly for remote connection	CHROME	
GVRC#	RECESSED valve and lockshield assembly for remote connection	COLOUR	

For the GVRC code you must specify the colour required  
 Colours not available: GRGR

**WATER VERSION**

(for the ELECTRIC version request a cost estimate from our sales department)



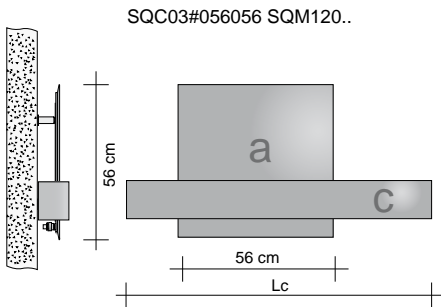
**NOTES**

The Maniglione «C» is always and only Electric

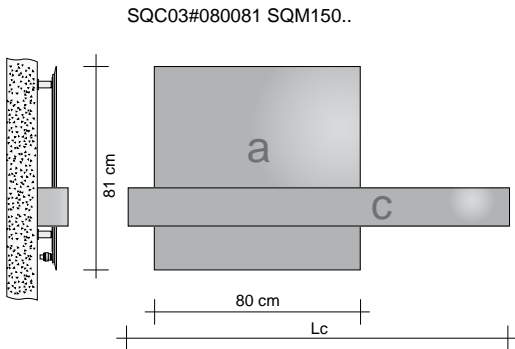
Code	H (cm)	L (cm)	Watts ΔT 50°C	Watts ΔT 30°C	Price A and B white (€)	Price A coloured B white (€)	Price A white B coloured (€)	Price A and B co-loured (€)
<b>SQC02#200046056056SQM100</b>								
a SQV2#IDR200046	200,0	46,0	1152	634				
b SQV2#IDR056056	56,0	56,0						
c SQM#ELE100	15,0	100,0						
<b>SQC02#200046056056SQM120</b>								
a SQV2#IDR200046	200,0	46,0	1162	639				
b SQV2#IDR056056	56,0	56,0						
c SQM#ELE120	15,0	120,0						
<b>SQC02#200046056056SQM150</b>								
a SQV2#IDR200046	200,0	46,0	1187	653				
b SQV2#IDR056056	56,0	56,0						
c SQM#ELE150	15,0	150,0						
<b>SQC02#200056056056SQM120</b>								
a SQV2#IDR200056	200,0	56,0	1422	782				
b SQV2#IDR056056	56,0	56,0						
c SQM#ELE120	15,0	120,0						
<b>SQC02#200056056056SQM150</b>								
a SQV2#IDR200056	200,0	56,0	1447	796				
b SQV2#IDR056056	56,0	56,0						
c SQM#ELE150	15,0	150,0						
<b>SQC02#180046056056SQM100</b>								
a SQV2#IDR180046	180,0	46,0	1075	591				
b SQV2#IDR056056	56,0	56,0						
c SQM#ELE100	15,0	100,0						
<b>SQC02#180046056056SQM120</b>								
a SQV2#IDR180046	180,0	46,0	1085	597				
b SQV2#IDR056056	56,0	56,0						
c SQM#ELE120	15,0	120,0						
<b>SQC02#180046056056SQM150</b>								
a SQV2#IDR180046	180,0	46,0	1110	611				
b SQV2#IDR056056	56,0	56,0						
c SQM#ELE150	15,0	150,0						
<b>SQC02#180056056056SQM120</b>								
a SQV2#IDR180056	180,0	56,0	1319	725				
b SQV2#IDR056056	56,0	56,0						
c SQM#ELE120	15,0	120,0						
<b>SQC02#180056056056SQM150</b>								
a SQV2#IDR180056	180,0	56,0	1344	739				
b SQV2#IDR056056	56,0	56,0						
c SQM#ELE150	15,0	150,0						
<b>SQC02#180056056056SQM180</b>								
a SQV2#IDR180056	180,0	56,0	1369	753				
b SQV2#IDR056056	56,0	56,0						
c SQM#ELE180	15,0	180,0						
<b>SQC02#160046056056SQM100</b>								
a SQV2#IDR160046	160,0	46,0	999	549				
b SQV2#IDR056056	56,0	56,0						
c SQM#ELE100	15,0	100,0						
<b>SQC02#160046056056SQM120</b>								
a SQV2#IDR160046	160,0	46,0	1009	555				
b SQV2#IDR056056	56,0	56,0						
c SQM#ELE120	15,0	120,0						
<b>SQC02#160046056056SQM150</b>								
a SQV2#IDR160046	160,0	46,0	1034	569				
b SQV2#IDR056056	56,0	56,0						
c SQM#ELE150	15,0	150,0						
<b>SQC02#160056056056SQM120</b>								
a SQV2#IDR160056	160,0	56,0	1218	670				
b SQV2#IDR056056	56,0	56,0						
c SQM#ELE120	15,0	120,0						
<b>SQC02#160056056056SQM150</b>								
a SQV2#IDR160056	160,0	56,0	1243	684				
b SQV2#IDR056056	56,0	56,0						
c SQM#ELE150	15,0	150,0						

WATER VERSION

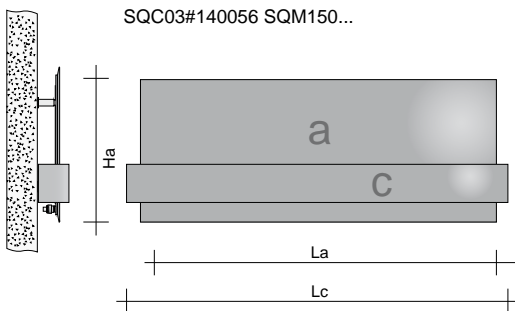
(for the ELECTRIC version request a cost estimate from our sales department)



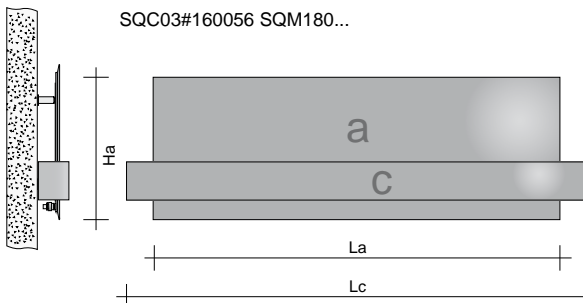
Code	H (cm)	L (cm)	Watts ΔT 50°C	Watts ΔT 30°C	Price A and C white (€)	Price A coloured C white (€)	Price A white C coloured (€)	Price A and C coloured (€)
<b>SQC03#056056SQM100</b>								
a SQV2#IDR056056	56,0	56,0	373	205				
c SQM#ELE100	15,0	100,0						
<b>SQC03#056056SQM120</b>								
a SQV2#IDR056056	56,0	56,0	383	211				
c SQM#ELE120	15,0	120,0						
<b>SQC03#056056SQM150</b>								
a SQV2#IDR056056	56,0	56,0	408	224				
c SQM#ELE150	15,0	150,0						



<b>SQC03#080081SQM100</b>								
a SQV2#IDR080081	80,0	81,0	730	402				
c SQM#ELE100	15,0	100,0						
<b>SQC03#080081SQM120</b>								
a SQV2#IDR080081	80,0	81,0	740	407				
c SQM#ELE120	15,0	120,0						
<b>SQC03#080081SQM150</b>								
a SQV2#IDR080081	80,0	81,0	765	421				
c SQM#ELE150	15,0	150,0						



<b>SQC03#140046SQM150</b>								
a SQO2#IDR140046	46,0	140,0	647	356				
c SQM#ELE150	15,0	150,0						
<b>SQC03#140056SQM150</b>								
a SQO2#IDR140056	56,0	140,0	831	457				
c SQM#ELE150	15,0	150,0						
<b>SQC03#140071SQM150</b>								
a SQO2#IDR140071	71,0	140,0	1016	559				
c SQM#ELE150	15,0	150,0						

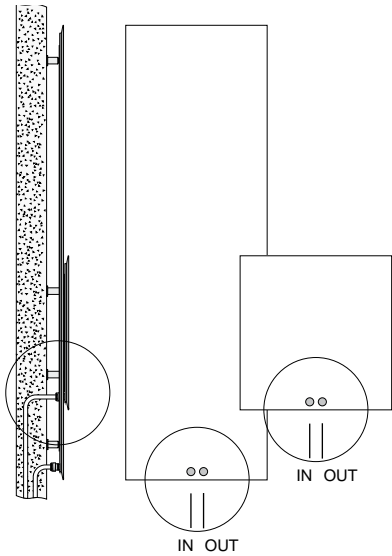


<b>SQC03#140046SQM180</b>								
a SQO2#IDR140046	46,0	140,0	672	370				
c SQM#ELE180	15,0	180,0						
<b>SQC03#140056SQM180</b>								
a SQO2#IDR140056	56,0	140,0	856	471				
c SQM#ELE180	15,0	180,0						
<b>SQC03#140071SQM180</b>								
a SQO2#IDR140071	71,0	140,0	1041	573				
c SQM#ELE180	15,0	180,0						
<b>SQC03#160046SQM180</b>								
a SQO2#IDR160046	46,0	160,0	746	410				
c SQM#ELE180	15,0	180,0						
<b>SQC03#160056SQM180</b>								
a SQO2#IDR160056	56,0	160,0	955	525				
c SQM#ELE180	15,0	180,0						
<b>SQC03#160071SQM180</b>								
a SQO2#IDR160071	71,0	160,0	1164	640				
c SQM#ELE180	15,0	180,0						

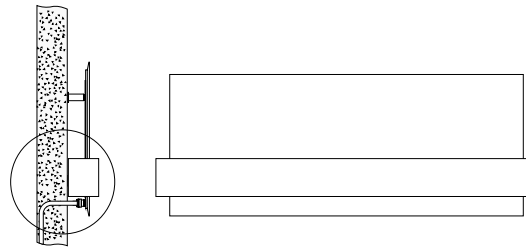
CONNECTORS

The technical department personnel are always at the customers' disposal to forward them the technical specifications of the model ordered with all the dimensions and instructions needed for the water system connection

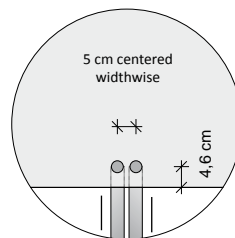
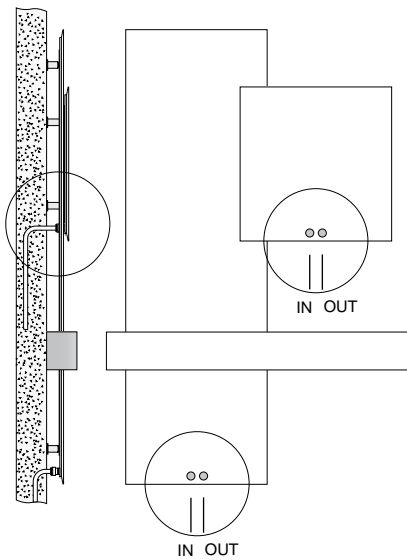
Square COMPOSITION **01**



Square COMPOSITION **03**



Square COMPOSITION **02**



Connection of radiator to the Remote Valve Assembly (GVR)

The SQUARE model is connected to the heating system via the remote connection GVR (Remote Valve Assembly) supplied as an accessory, whereas the "maniglione" is always and only Electric.

REMOTE VALVE ASSEMBLY

Valve and Lockshield assembly for remote connection (GVR), can be installed up to a maximum distance of 6 metres from the radiator.

Connection of Remote Valve Assembly (GVR) to water system

	Code	Description	Finishes	Price (€)
	GVR#	RECESSED valve and lockshield assembly for remote connection	CHROME	
	GVRC#	RECESSED valve and lockshield assembly for remote connection	COLOUR	

For the GVRC code you must specify the colour required  
Colours not available: GR CR